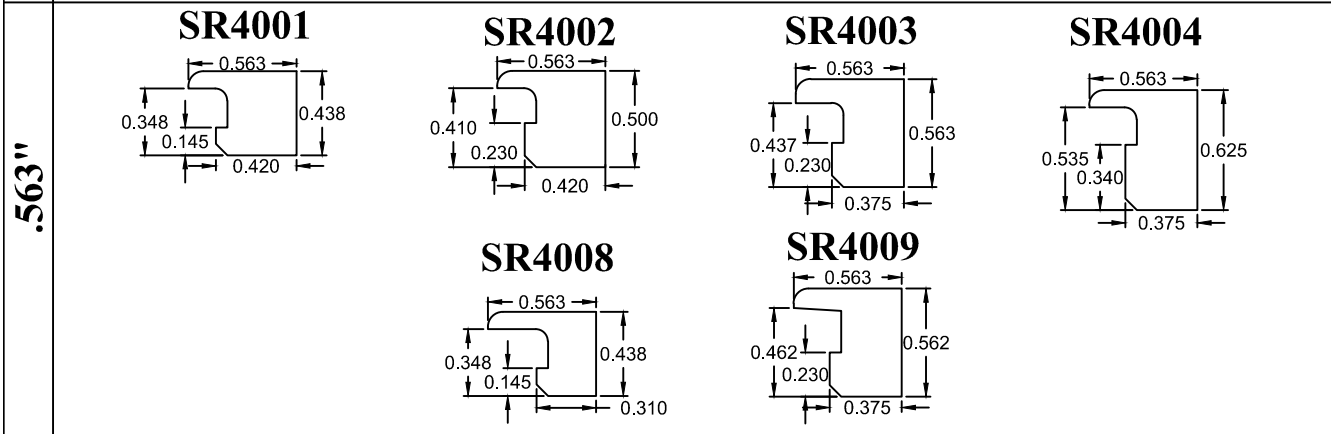


DIM	CLIP
.145	1203
.230	1212
.235	1212
.245	1212
.340	1202
.340 SR-5002 SERIES	1205
LINCOLN WITH SR-4002	1213



PROPRIETARY NOTICE

THE INFORMATION CONTAINED IN THIS DRAWING IS THE SOLE PROPERTY OF FRONTLINE BUILDING PRODUCTS. ANY REPRODUCTION IN PART OR AS A WHOLE WITHOUT THE WRITTEN PERMISSION OF FRONTLINE BUILDING PRODUCTS. IS PROHIBITED.

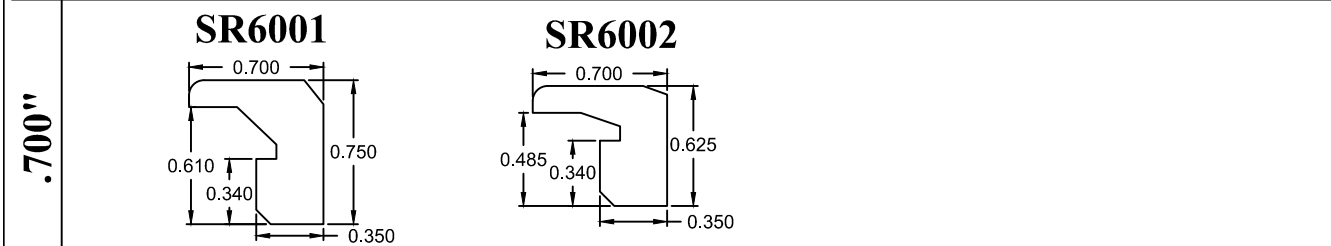
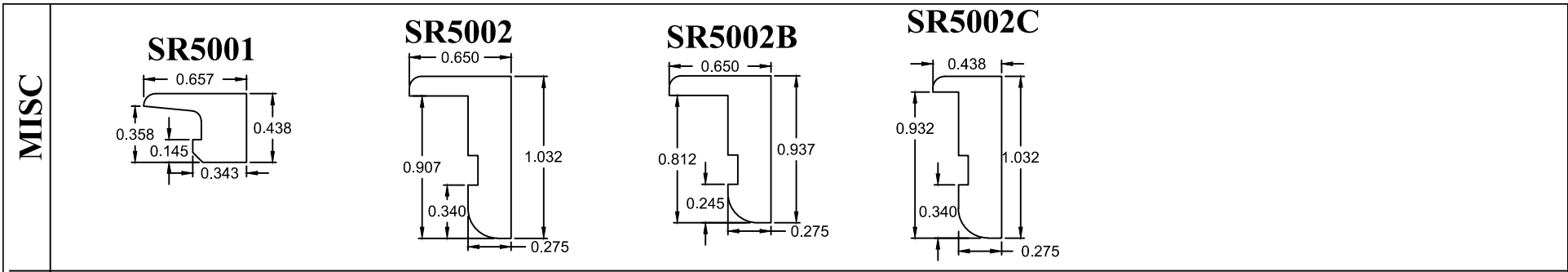
REV	DATE	BY	DESCRIPTION
1	6/22/06	JB	ADDED CLIP TABLE

DESCRIPTION:

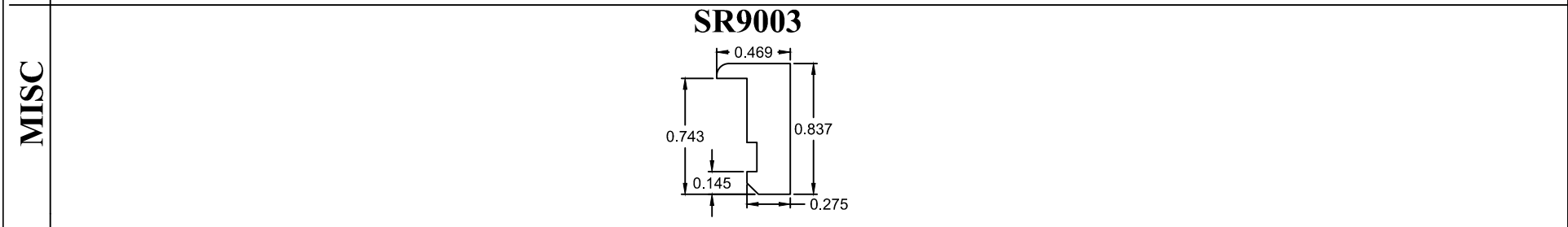
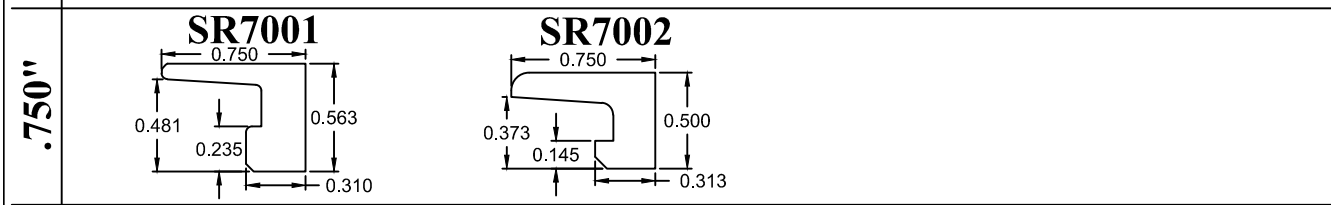
SR INDEX 1000-4000
WOOD GRILLE SURROUND

FILE: F:\CADDATA\Profiles\SR\SR INDEX.dwg

SCALE: 1:1	TOL: ± 0.005	BY: JB	DATE: 6/6/06
------------	--------------	--------	--------------



DIM	CLIP
.145	1203
.230	1212
.235	1212
.245	1212
.340	1202
.340 SR-5002 SERIES	1205
LINCOLN WITH SR-4002	1213



FrontLine®
 Bldg. Products Inc.
MEMBER OF THE BAY INDUSTRIES CORPORATE FAMILY
 MEDFORD DIVISION

610 JENSEN DR.
 MEDFORD, WI 54451

PH: 715-748-2288
 FAX: 715-748-2881

REV	DATE	BY	DESCRIPTION
4	09/16/09	WW	SR9002, SR9004 NOW INACTIVE
3	11/10/06	WW	ADDED SR9003
2	11/10/06	WW	MADE SR5003,SR9001,SR9004 INACTIVE
1	6/22/06	JB	ADDED CLIP TABLE

PROPRIETARY NOTICE
 THE INFORMATION CONTAINED IN THIS DRAWING IS THE SOLE PROPERTY OF FRONTLINE BUILDING PRODUCTS. ANY REPRODUCTION IN PART OR AS A WHOLE WITHOUT THE WRITTEN PERMISSION OF FRONTLINE BUILDING PRODUCTS. IS PROHIBITED.

DESCRIPTION: SR INDEX 5000-9000 WOOD GRILLE SURROUND			
FILE: F:\CADDATA\Profiles\SR\SR INDEX.dwg			
SCALE: 1:1	TOL: ± 0.005	BY: JB	DATE: 6/6/06